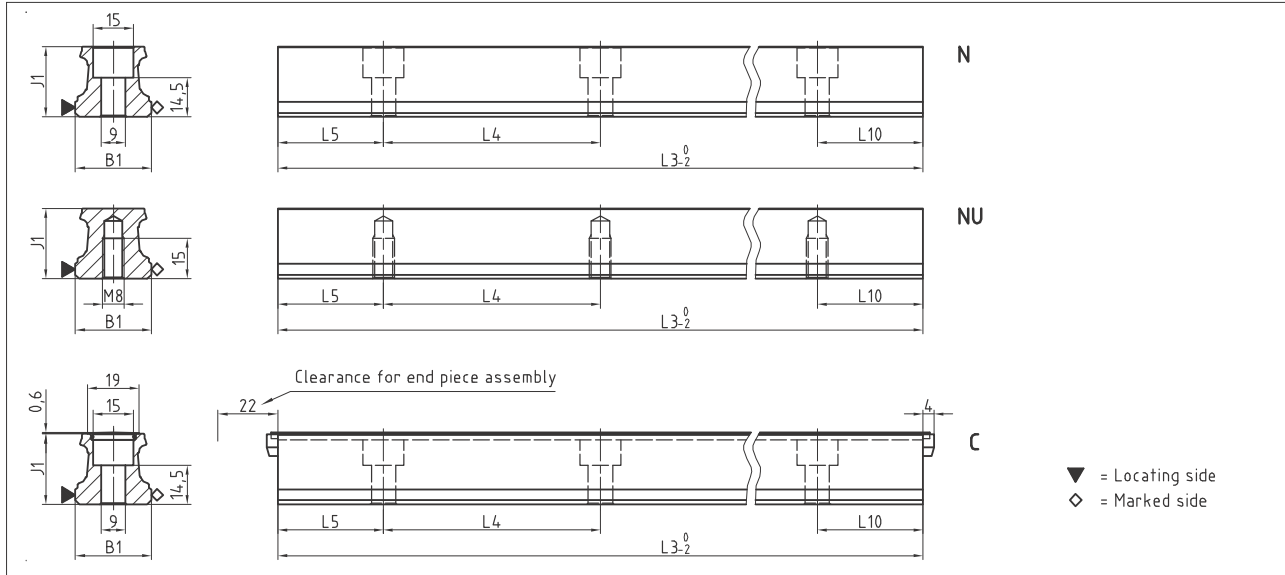
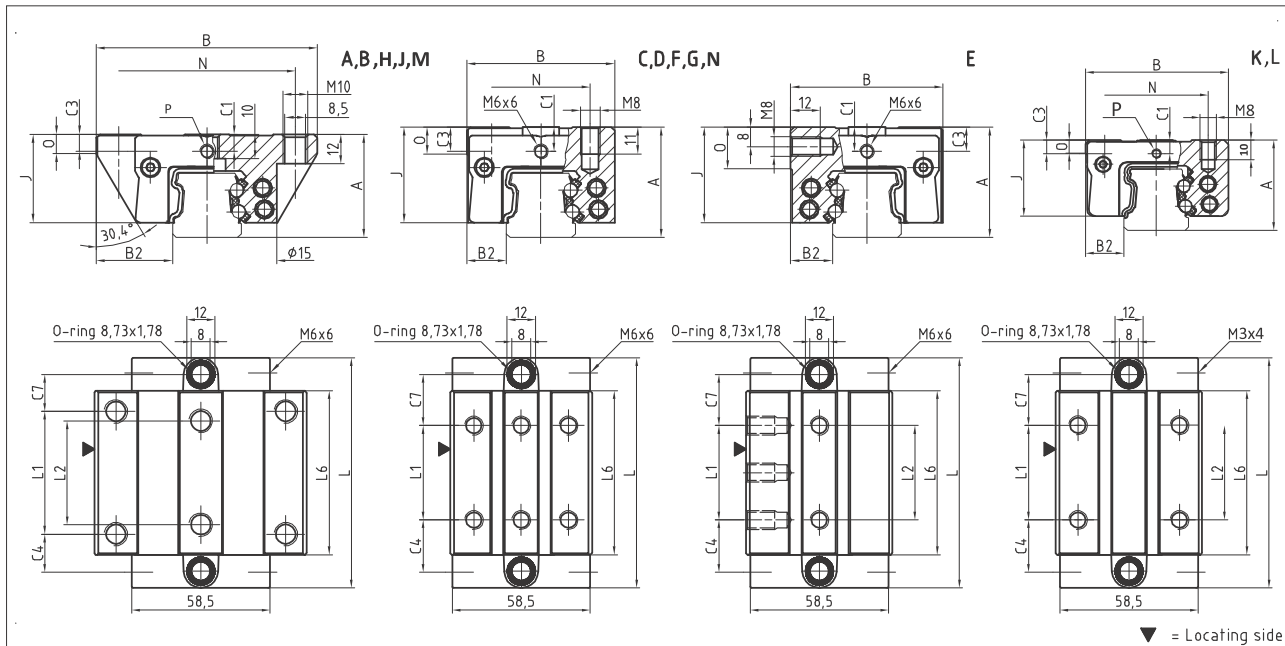


4.2 Technical data and options BM Size 30

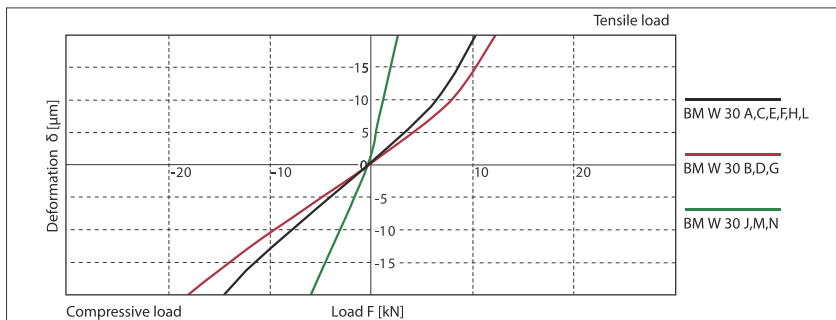
BM S 30 Drawings



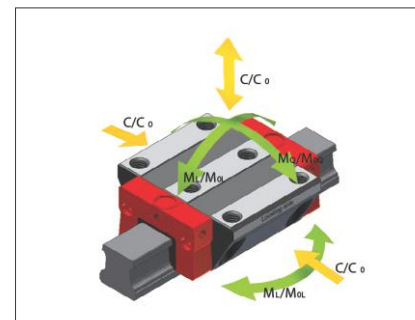
BM W 30 Drawings



BM W 30 Rigidity diagram



BM W 30 Load rating



4.2 Technical data and options BM Size 30

BM S 30 Dimensions



مشخصات	BM S 30-N	BM S 30-NU	BM S 30-C
B1: Rail width	28	28	28
J1: Rail height	26	26	26
L3: Rail length max.	6000	6000	6000
L4: Spacing of fixing holes	80	80	80
L5/L10: Position of first/last fixing hole	38.5	38.5	38.5
Gew.: Rail weight, specific (kg/m)	4.3	4.5	4.1
قیمت	دلار		
	تومان		

BM W 30 Dimensions and capacities



مشخصات	BM W 30-A	BM W 30-B	BM W 30-C	BM W 30-D	BM W 30-E	BM W 30-F	BM W 30-G	BM W 30-H	BM W 30-J	BM W 30-L	BM W 30-N	BM W 30-M
A: System height	42	42	45	45	42	42	42	38	38	38	42	42
B: Carriage width	90	90	60	60	62	60	60	90	90	60	60	90
B2: Distance between locating faces	31	31	16	16	17	16	16	31	31	16	16	31
C1: Position of center front lube hole	7	7	10	10	10	7	7	5.2	5.2	5.2	7	7
C3: Position of lateral lube hole	7	7	10	10	10	7	7	4.7	4.7	4.7	7	7
C4: Position of lateral lube hole	16.2	27.2	22.2	23.2	22.2	22.2	23.2	16.2	28.3	22.2	28.3	28.3
C7: Position of top lube hole	15.7	26.7	21.7	22.7	21.7	21.7	22.7	15.7	27.8	21.7	27.8	27.8
J: Carriage height	35.9	35.9	38.9	38.9	38.9	35.9	35.9	31.9	31.9	31.9	35.9	35.9
L: Carriage length	97.4	119.4	97.4	119.4	97.4	97.4	119.4	97.4	69.6	97.4	69.6	69.6
L1: Exterior fixing hole spacing	52	52	40	60	40	40	60	52	-	40	-	-
L2: Interior fixing hole spacing	44	44	-	-	40	-	-	-	-	-	-	-
L6: Steel body length	69.4	91.4	69.4	91.4	69.4	69.4	91.4	69.4	41.6	69.4	41.6	41.6
N: Lateral fixing hole spacing	72	72	40	40	-	40	40	72	72	40	40	72
O: Reference face height	8	8	11	11	17	11	11	8	8	11	11	8
P: Connecting thread (MxL)	6x6	6x6	6x6	6x6	6x6	6x6	6x6	3x5.5	3x5.5	3x5.5	6x6	6x6
Capacities and weights												
C0: Static load capacity (N)	63700	83300	63700	83300	63700	63700	83300	63700	24700	63700	24700	24700
C100: Dynamic load capacity (N)	29200	35300	29200	35300	29200	29200	35300	29200	17500	29200	17500	17500
M0Q: Static cross moment capacity (Nm)	1084	1414	1084	1414	1084	1084	1414	1084	434	1084	434	434
M0L: Static longitud. moment capacity (Nm)	829	1390	829	1390	829	829	1390	829	161	829	161	161
MQ: Dyn. cross moment capacity (Nm)	497	599	497	599	497	497	599	497	308	497	308	308
ML: Dyn. longitud. moment capacity (Nm)	380	589	380	589	380	380	589	380	113	380	113	113
Gew: Carriage weight (kg)	1.2	1.5	1.0	1.3	1.0	0.9	1.2	1.0	0.8	1.0	0.6	0.8
قیمت	دلار											
	تومان											